



Installation instructions, accessories

Volvo Car Corporation Gothenburg, Sweden

Instruction No	Version	Part. No.
31414291	1.1	31399343, 31399341, 31399342, 31414766

Sport exhaust system, R-design



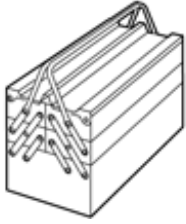
IMG-381397



Installation instructions, accessories

Volvo Car Corporation Gothenburg, Sweden

Equipment



IMG-345497

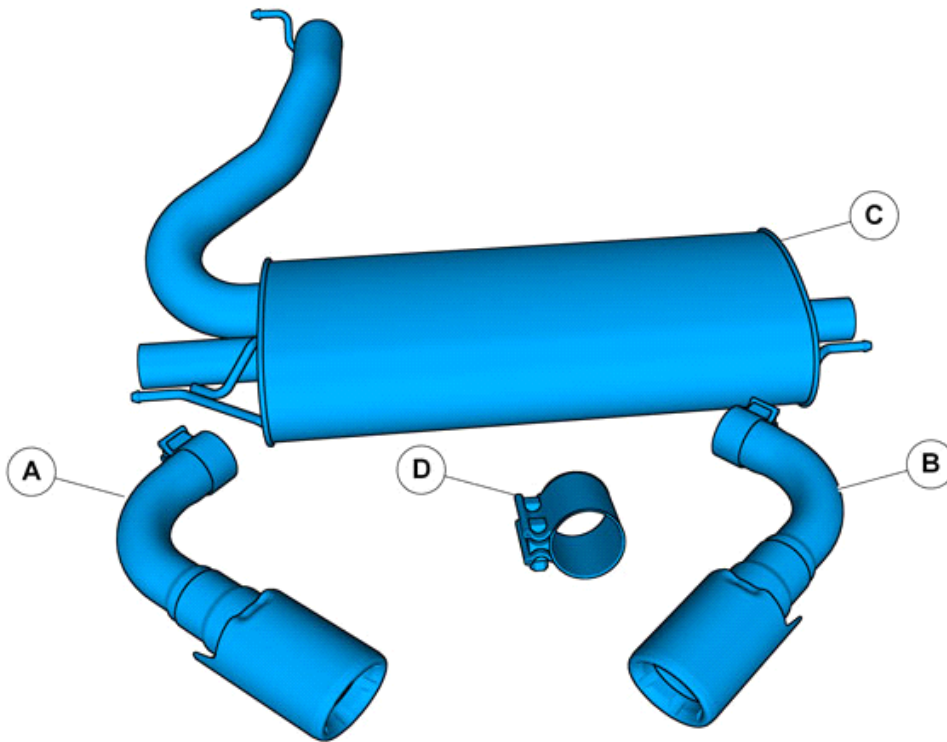


IMG-256903



IMG-239664

Nm
lbf.ft



IMG-381618



Installation instructions, accessories

Volvo Car Corporation Gothenburg, Sweden

Information

1

Read through all of the instructions before starting installation.

Notifications and warning texts are for your safety and to minimise the risk of something breaking during installation.

Ensure that all tools stated in the instructions are available before starting installation.

Certain steps in the instructions are only presented in the form of images. Explanatory text is also given for more complicated steps.

In the event of any problems with the instructions or the accessory, contact your local Volvo dealer.

Conditions

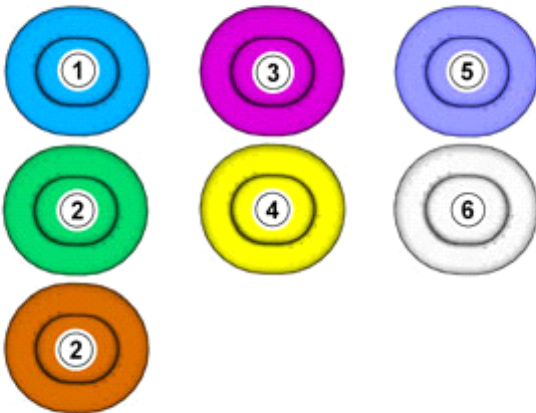
2

Note!

The Diffuser (accessory) must be installed on the vehicle.

Color symbols

3



IMG-363036

Note!

This colour chart displays (in colour print and electronic version) the importance of the different colours used in the images of the method steps.

1. Used for focused component, the component with which you will do something.
2. Used as extra colors when you need to show or differentiate additional parts.
3. Used for attachments that are to be removed/installed. May be screws, clips, connectors, etc.
4. Used when the component is not fully removed from the vehicle but only hung to the side.
5. Used for standard tools and special tools.
6. Used as background color for vehicle components.

Removal

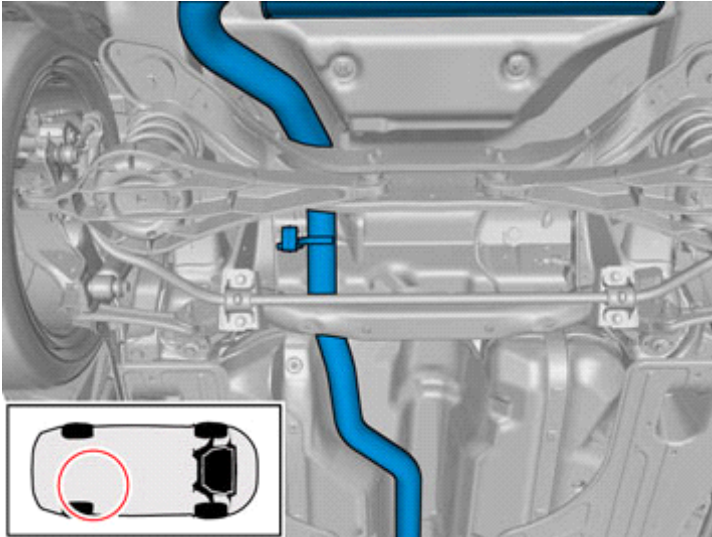


Installation instructions, accessories

Volvo Car Corporation Gothenburg, Sweden

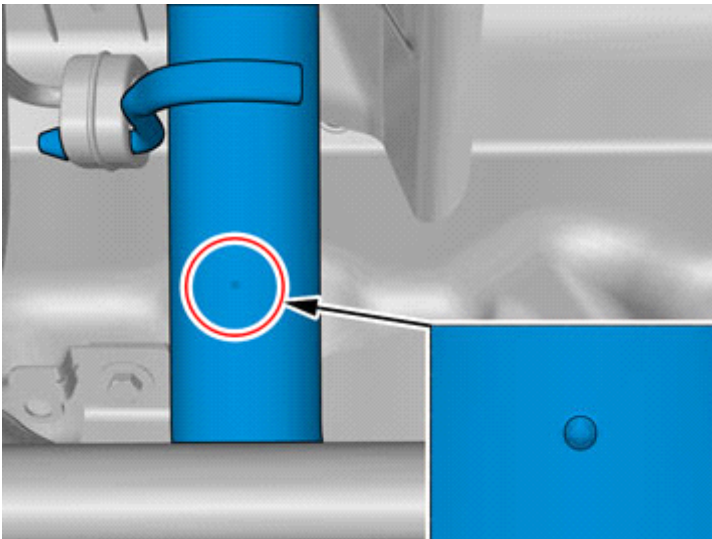
Applies to vehicles with double end pipe

4



IMG-381594

5



IMG-381595

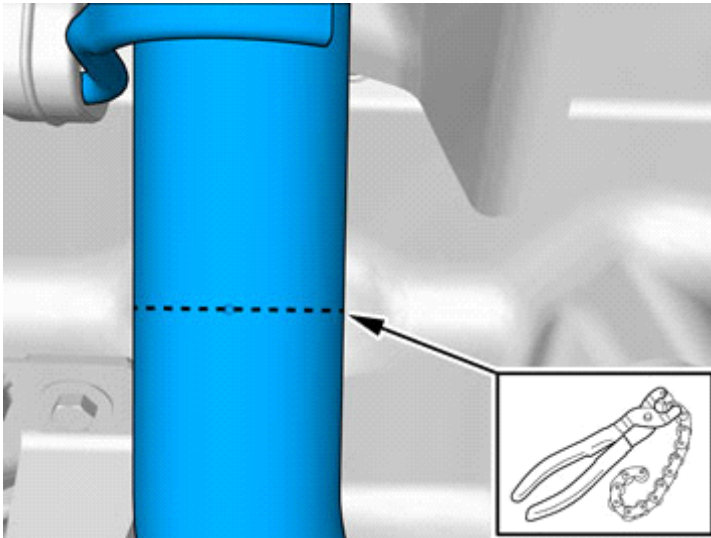
Locate relevant marking.



Installation instructions, accessories

Volvo Car Corporation Gothenburg, Sweden

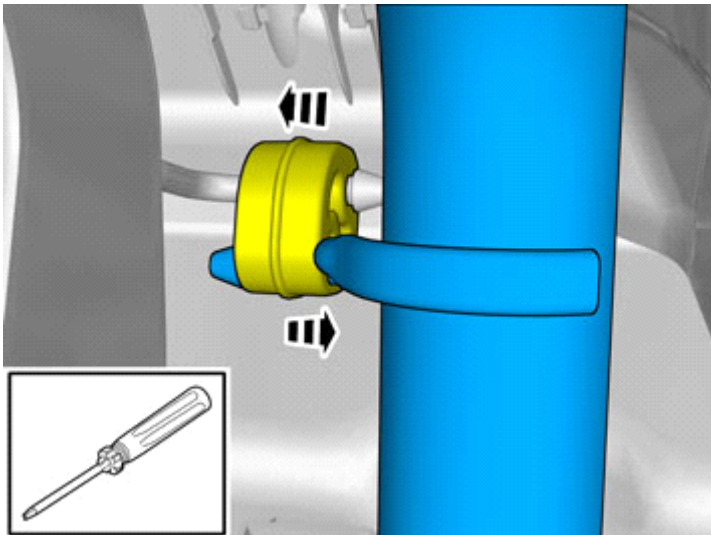
6



IMG-381596

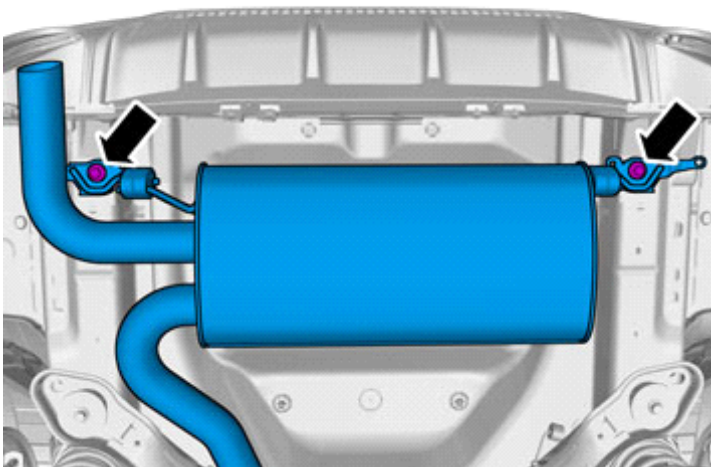
Use: Pipe cutter

7



IMG-381597

8



IMG-381336

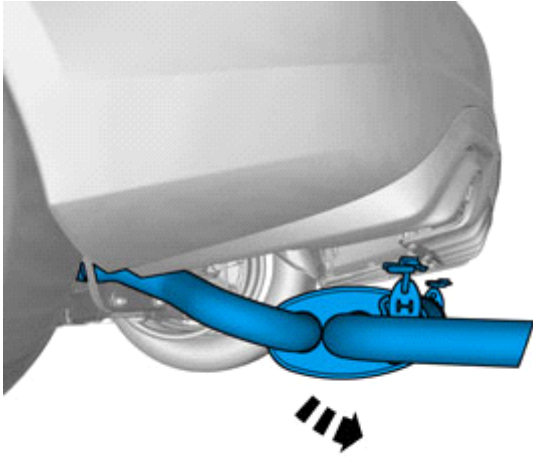
Remove the screws.



Installation instructions, accessories

Volvo Car Corporation Gothenburg, Sweden

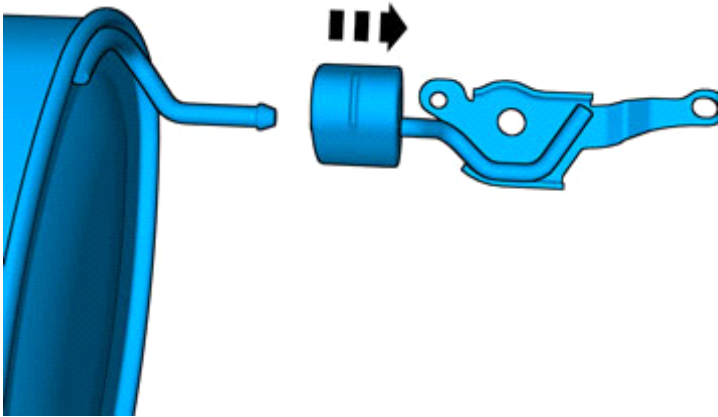
9



IMG-381337

10

Repeat on the other side.



IMG-381598

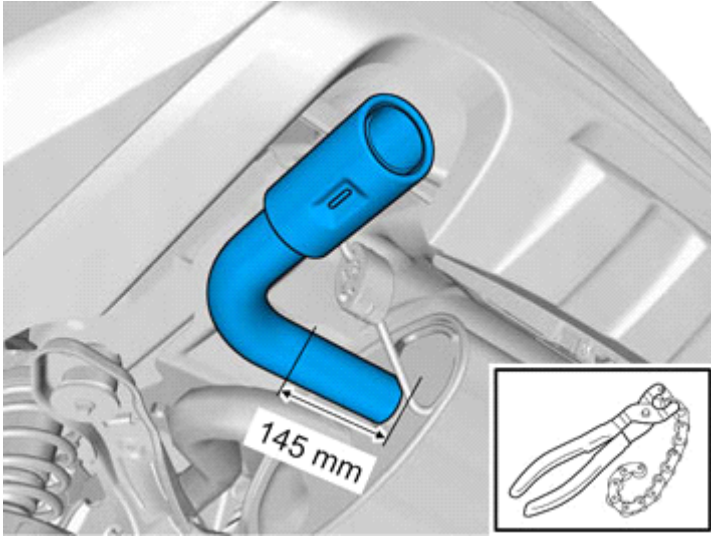
Applies to vehicles with single end pipe



Installation instructions, accessories

Volvo Car Corporation Gothenburg, Sweden

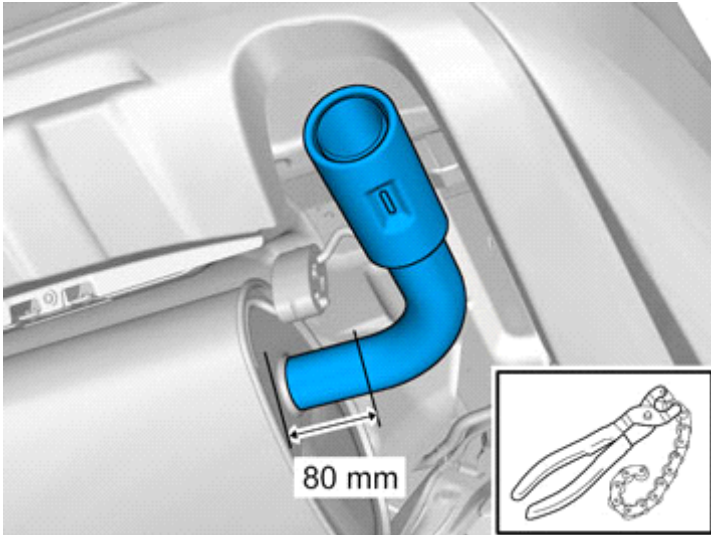
11



IMG-339297

Use: Pipe cutter

12



IMG-338494

Use: Pipe cutter

Accessory installation

Applies to vehicles with double end pipe

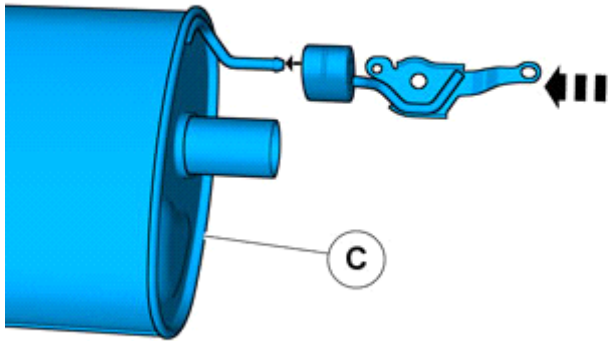


Installation instructions, accessories

Volvo Car Corporation Gothenburg, Sweden

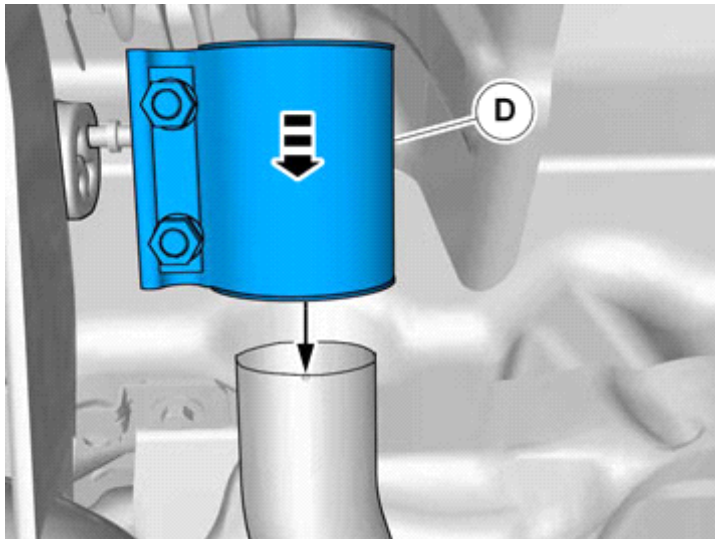
13

Repeat on the other side.



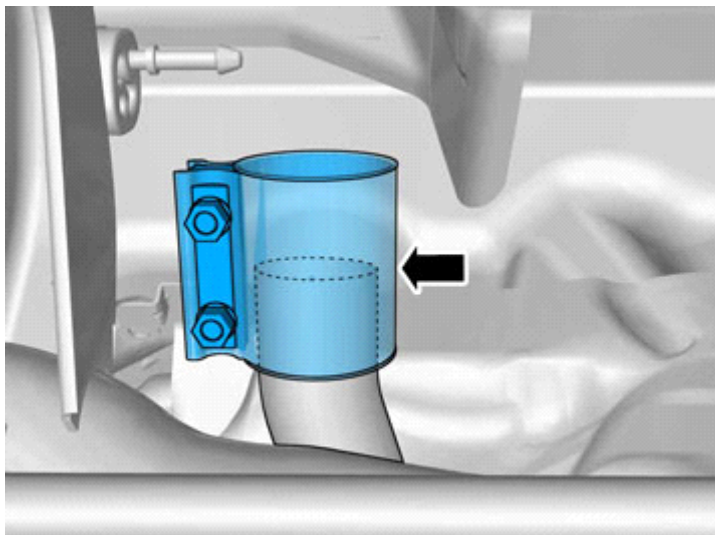
IMG-381599

14



IMG-381601

15



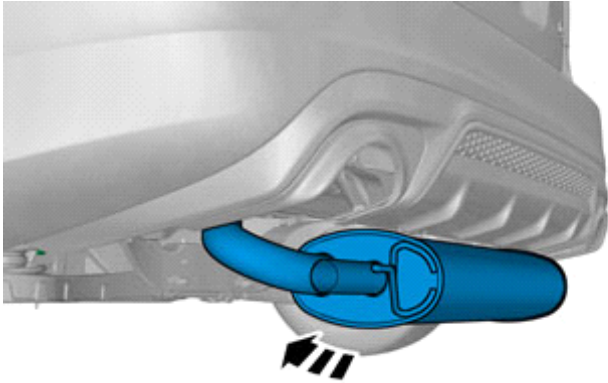
IMG-381602



Installation instructions, accessories

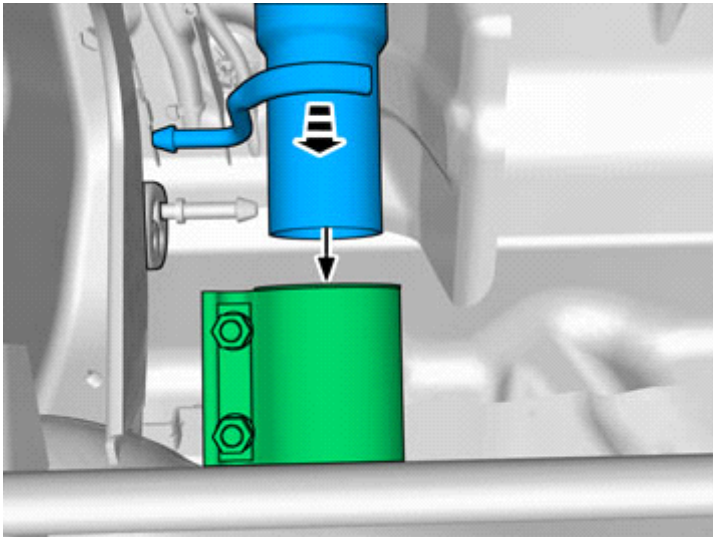
Volvo Car Corporation Gothenburg, Sweden

16



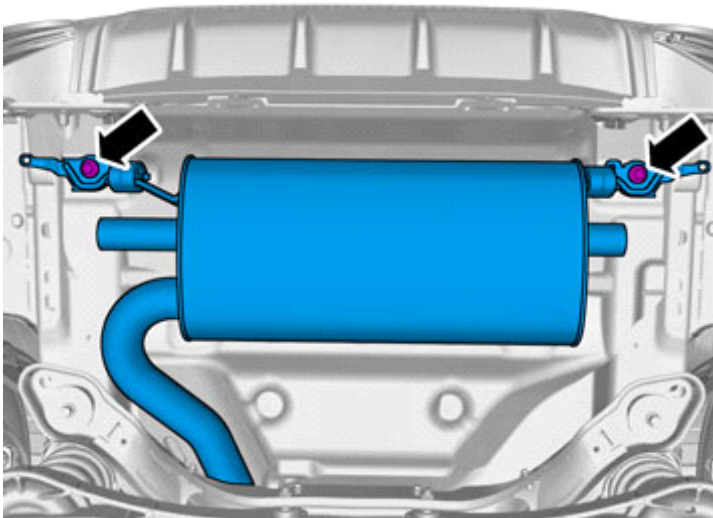
IMG-381342

17



IMG-381603

18



IMG-381344

Install the screws.

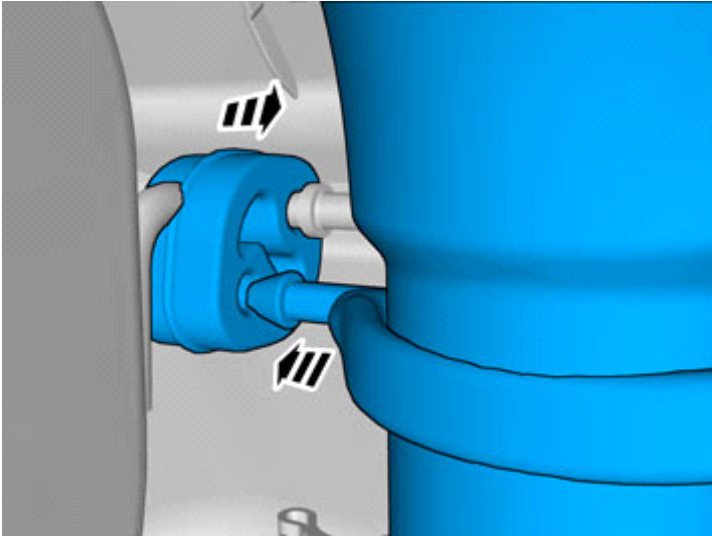
Tightening torque: ,



Installation instructions, accessories

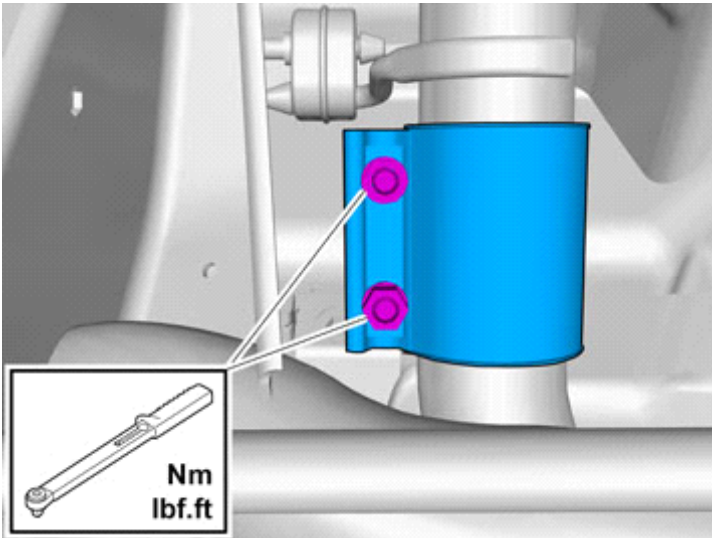
Volvo Car Corporation Gothenburg, Sweden

19



IMG-381604

20



IMG-351047

Tighten the nuts.

Tightening torque: ,

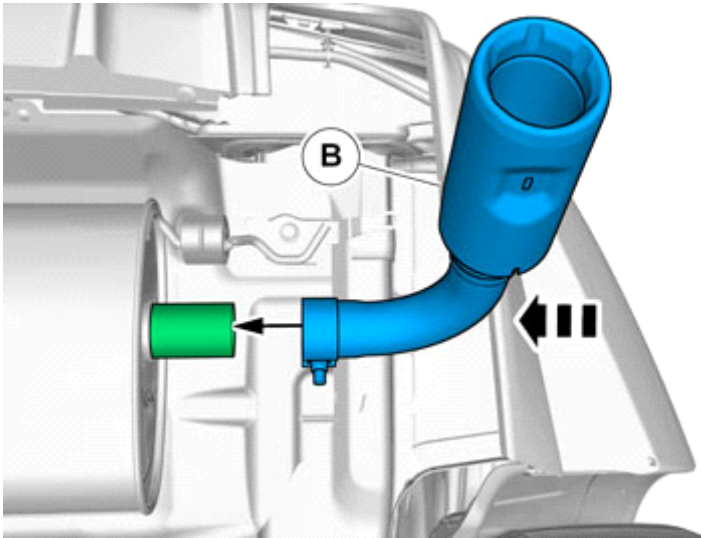
All vehicles



Installation instructions, accessories

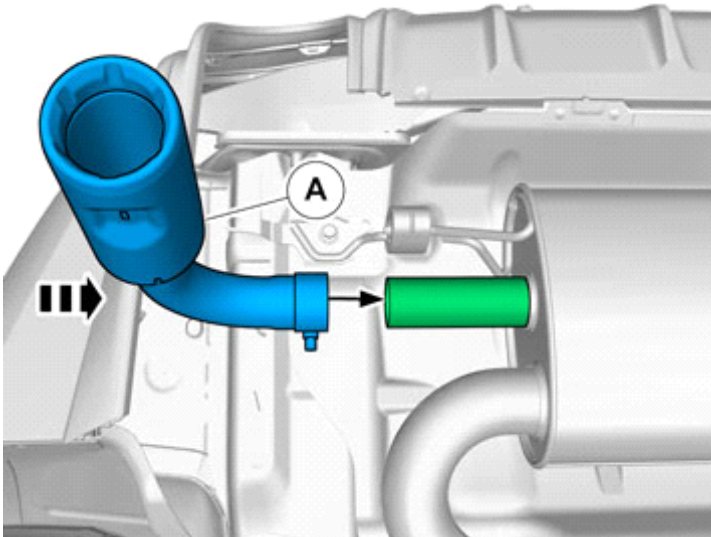
Volvo Car Corporation Gothenburg, Sweden

21



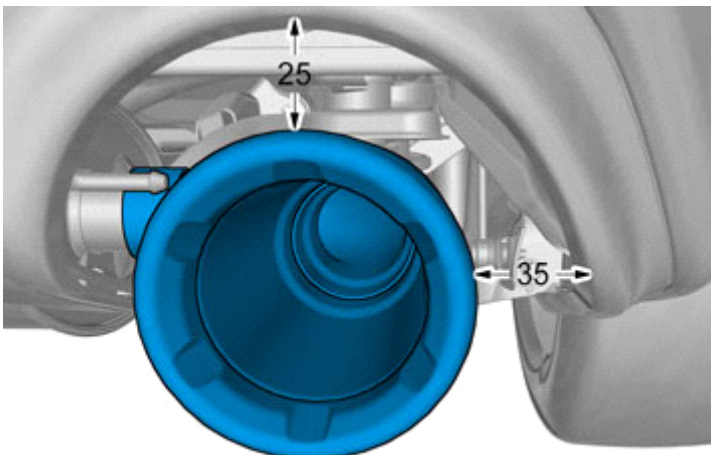
IMG-381605

22



IMG-381606

23



Adjust to the specified value.

Repeat on the other side.

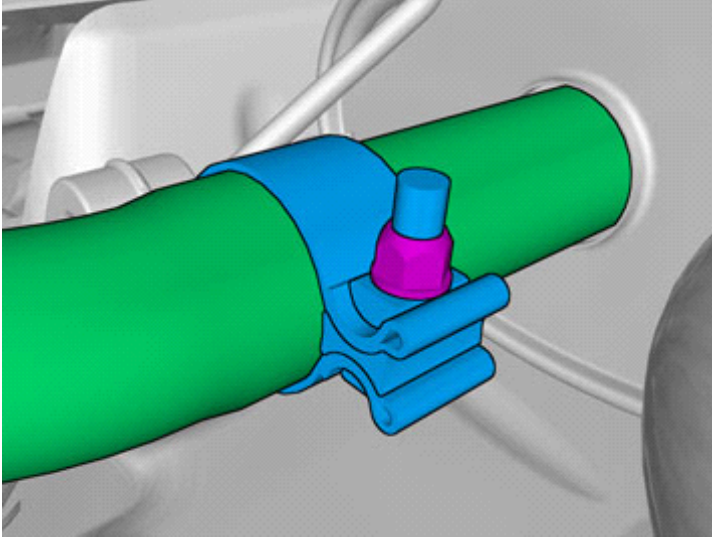
IMG-381354



Installation instructions, accessories

Volvo Car Corporation Gothenburg, Sweden

24



IMG-381607

Tighten the nut.

Tightening torque: ,

Repeat on the other side.